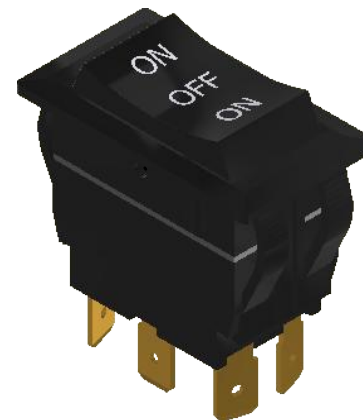
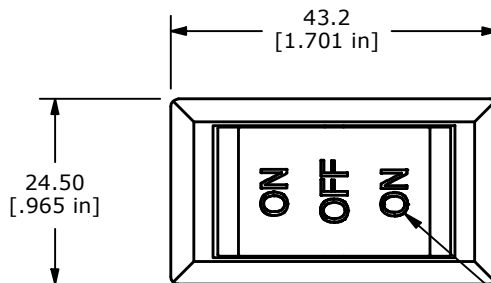


SUGGESTED PANEL CUTOUT

PANEL THICKNESS	(X) +.10mm/-0.00mm
1.5 - 2.0 mm	36.8 mm
2.0 - 3.0 mm	37.2 mm
3.0 - 4.0 mm	37.5 mm

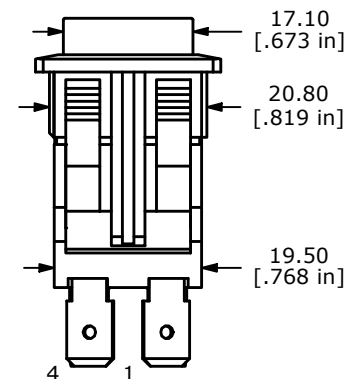
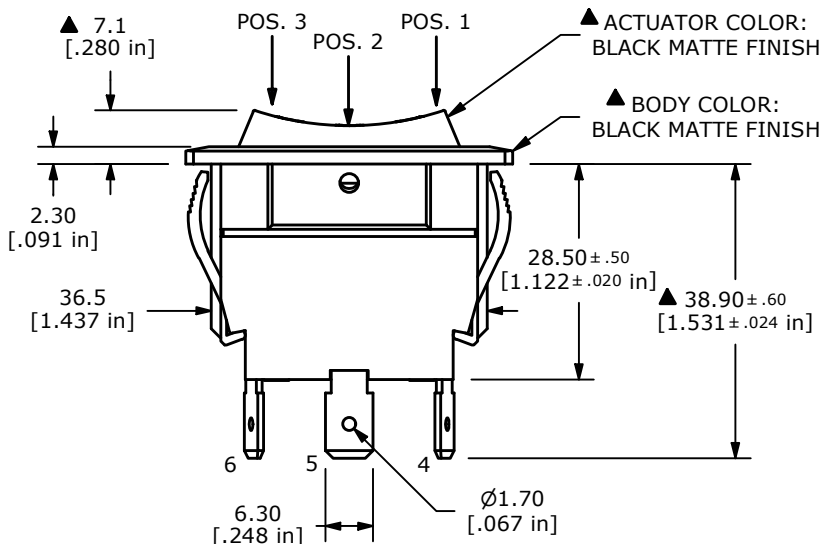
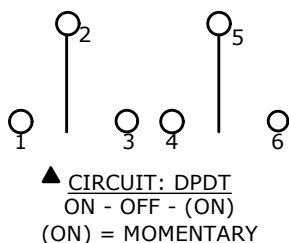


▲ GRAPHIC COLOR:
WHITE

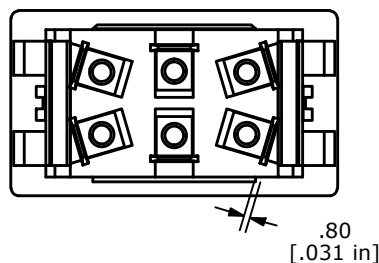
▲ SWITCH FUNCTION

POS. 3	POS. 2	POS. 1
ON	OFF	(ON)
2-1, 5-4	OPEN	2-3, 5-6

(ON) = MOMENTARY



- NOTES:
- ALL DIMENSIONS IN MM [INCH]
 - GENERAL TOLERANCE: X.X±0.5
X.XX±0.3
 - RATINGS: ANSI/UL 508 AND CAN/CSA C22.2 NO.14 (E195908):
20A, 125VAC [cURus]
15A, 277VAC [cURus]
1.5HP, 110/250VAC [cURus]
 - CONTACT RESISTANCE: 50 mΩ MAX. @ 50VAC
 - INSULATION RESISTANCE: 2 MΩ MIN. @ 500VDC
 - OPERATING TEMPERATURE: 0°C TO +55°C [cURus, CSA]
0°C TO +55°C [VDE]
 - ELECTRICAL LIFE: 6,000 CYCLES [cURus]
 - DIELECTRIC STRENGTH: 1,500V FOR 1 MINUTE
 - INGRESS PROTECTION: IP54
 - ▲ DENOTES CRITICAL PARAMETER



B	24681	UPDATED DIMENSIONS, CUTOUT, NOTES	3/16/21	JM
A	22876	NEW RELEASE	5/31/17	MJR
REV	PCR NO	DESCRIPTION	DATE	BY

TITLE RVW4JD1122				
SCALE 1:1	DATE 5/31/2017	DR MJR	DWG 34-RVW4JD1122	REV B

THE INFORMATION CONTAINED IN THIS DOCUMENT IS PROPRIETARY TO E-SWITCH AND IS NOT TO BE COPIED OR TRANSFERRED